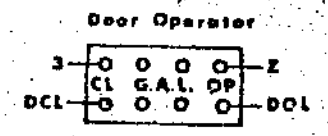
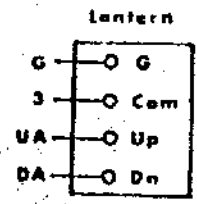
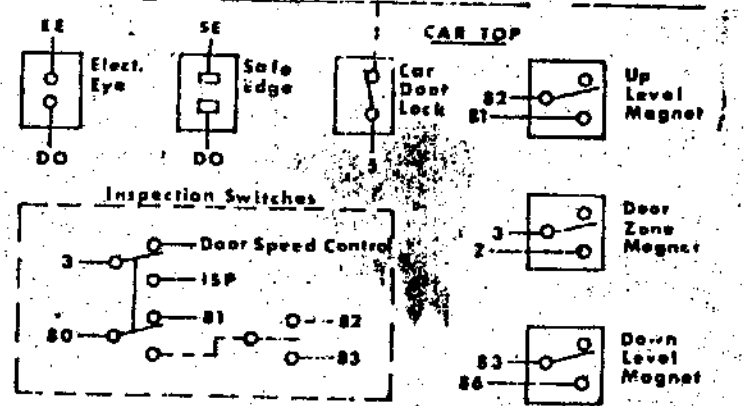
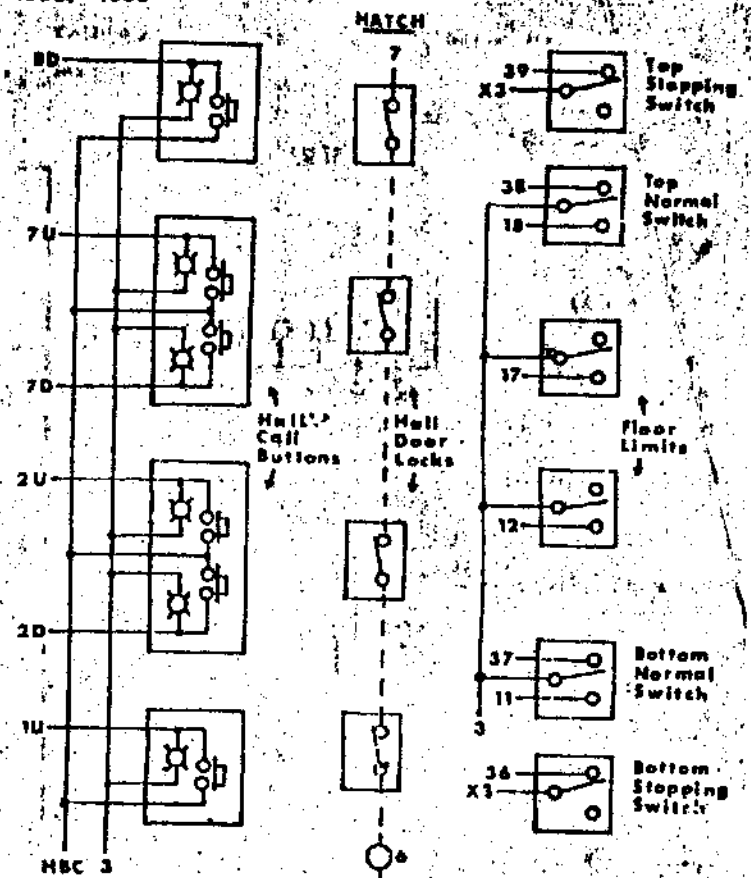
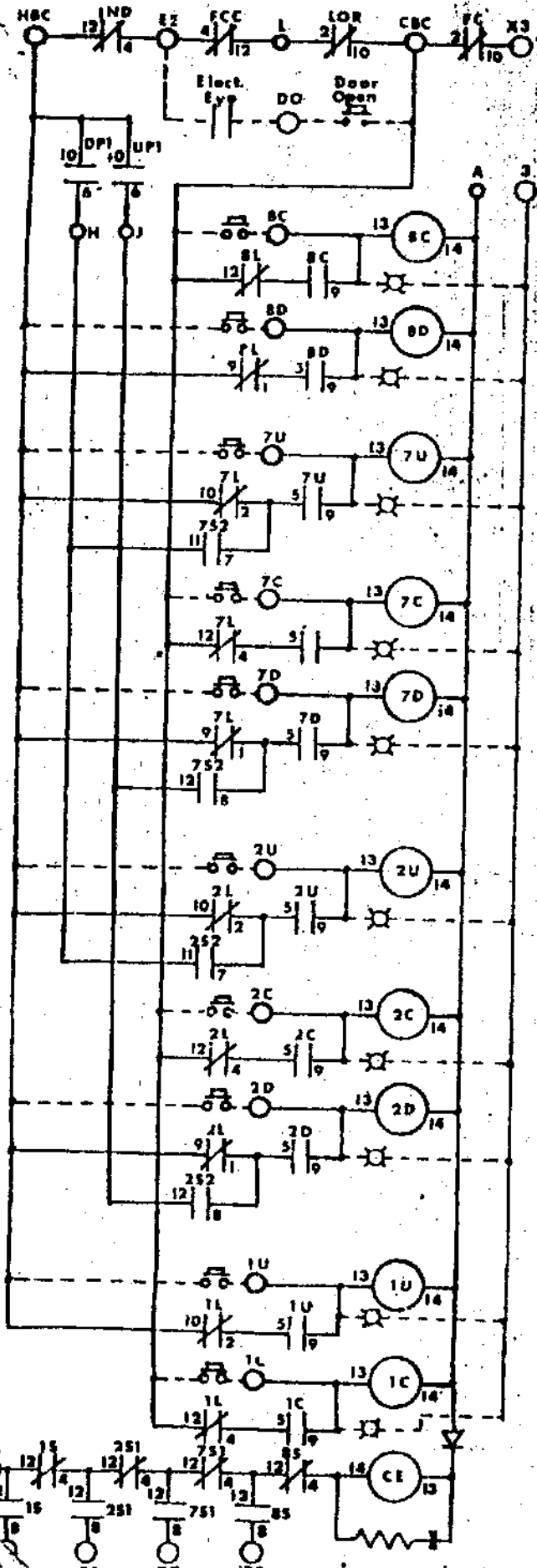


MOWRY-WIGGERS

Collective-Selective
Model 1003

Serial No.

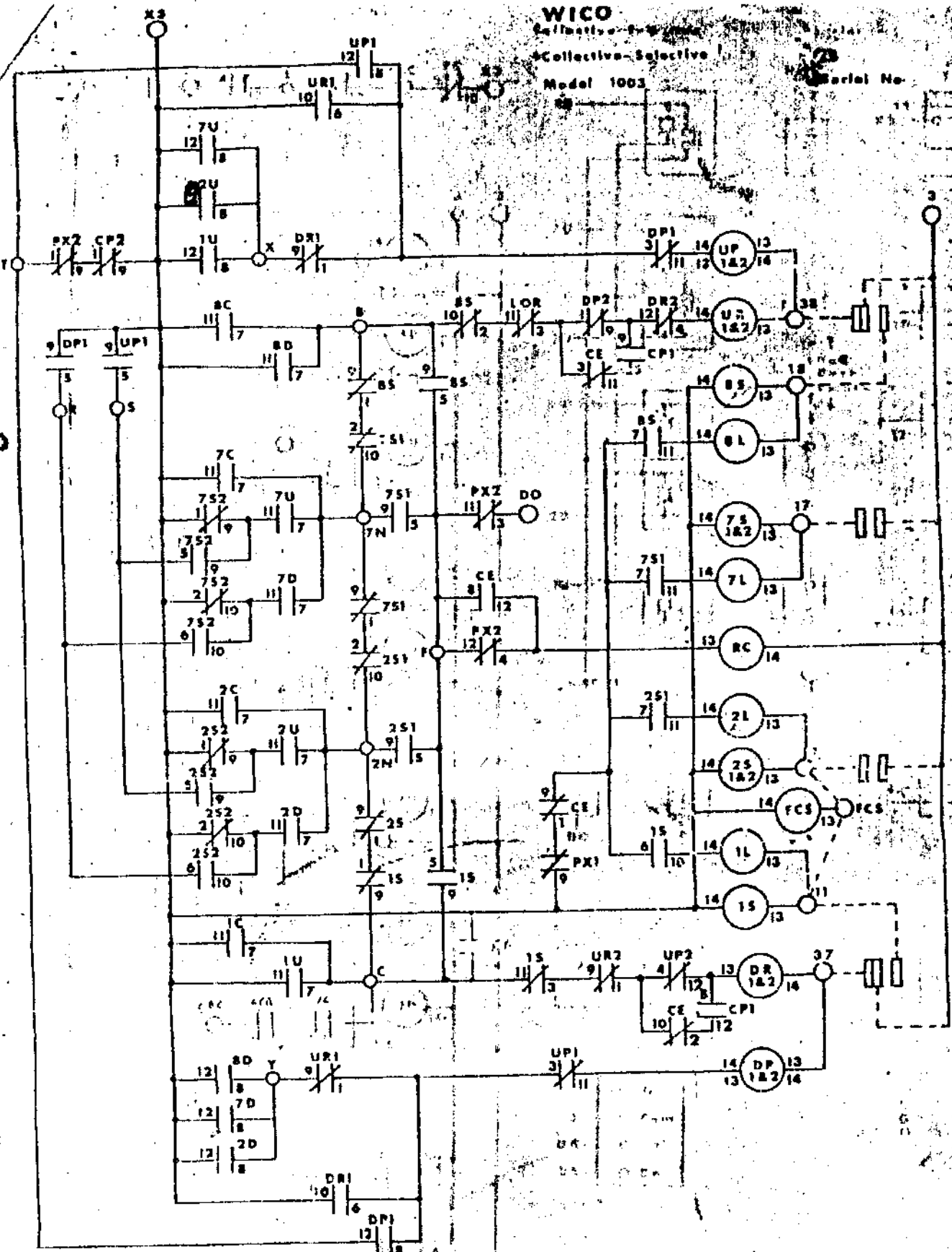


WICO

Collective-Selective

Model 1003

Serial No.



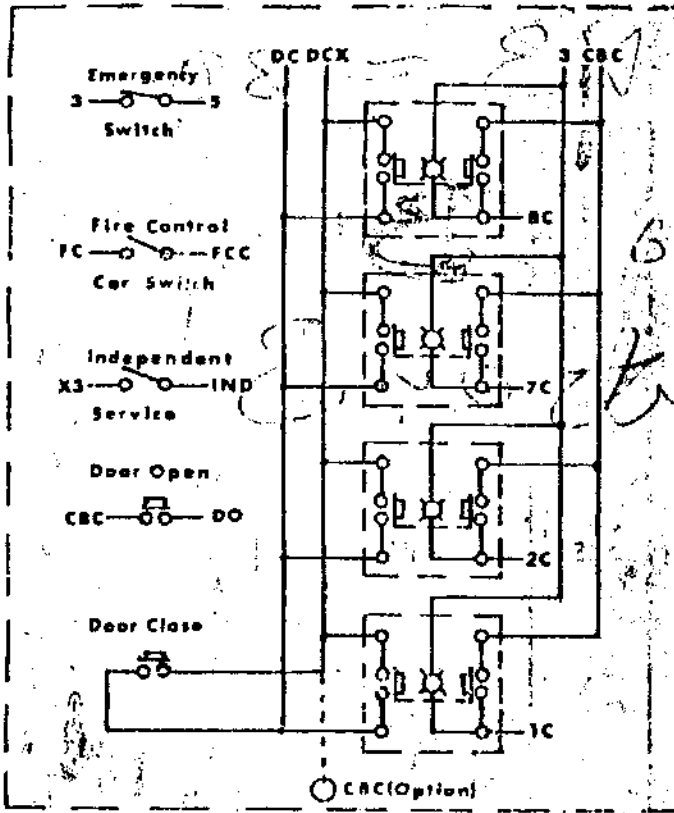
WICO

Collective-Selective

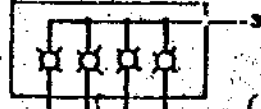
Serial No.

Model 1003

CAR STATION



Position Indicators



FC

Hall Fire Control (Recall)

X3

NOTES

16

Page 5