

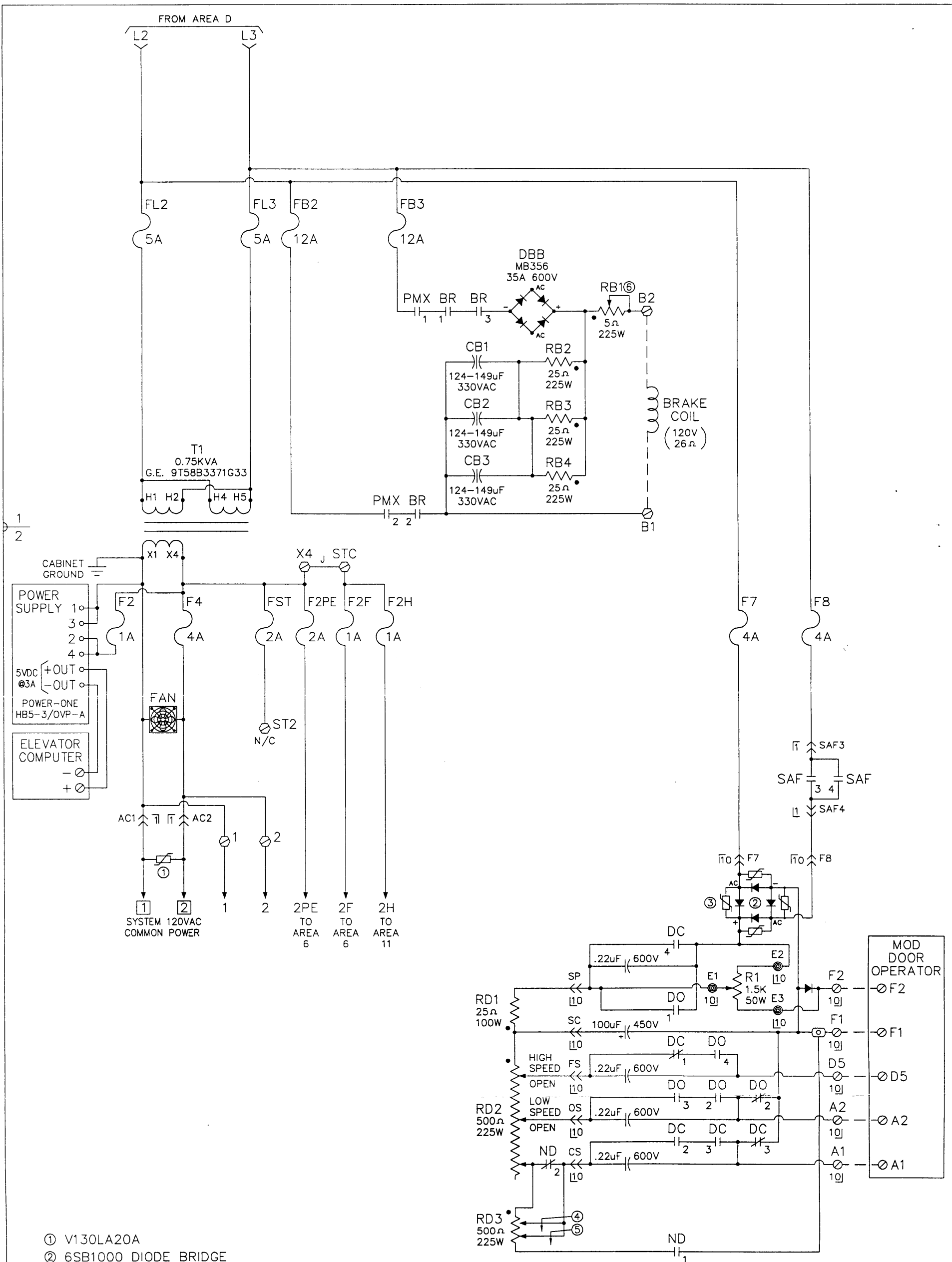
WARNING

FOR PROPER OPERATION OF THE VVVF AC DRIVE UNIT IN YOUR CONTROLLER, YOU MUST MAKE SURE THAT:

- 1) A DIRECT SOLID GROUND IS PROVIDED IN THE MACHINE ROOM TO PROPERLY GROUND THE CONTROLLER AND MOTOR. INDIRECT GROUNDS SUCH AS THE BUILDING STRUCTURE OR A WATER PIPE MAY NOT PROVIDE PROPER GROUNDING AND COULD ACT AS AN ANTENNA TO RADIATE RFI NOISE THUS DISTURBING SENSITIVE EQUIPMENT IN THE BUILDING. IMPROPER GROUNDING MAY ALSO RENDER ANY RFI FILTER NON-EFFECTIVE.
- 2) THE INCOMING POWER TO THE CONTROLLER AND OUTGOING POWER WIRES TO THE MOTOR ARE IN THEIR RESPECTIVE SEPARATE GROUNDED CONDUITS.

- ① #6 AWG PTL WIRE
 - ② #10 AWG PTL WIRE
 - ③ RESISTORS WIRED WITH #18 AWG TEFLON WIRE.
 - ④ UP/DOWN TRIM ADJUST POT.
 - ⑤ CUSTOMER CONNECTIONS MUST BE MADE AT THE BOTTOM OF THE POWER BLOCK.
- FUSE FD IS 250V RATING
BUSSMANN TYPE AGC OR LITTELFUSE TYPE 312
- FUSE FB IS 600V RATING
BUSSMANN TYPE KLM OR LITTELFUSE TYPE KLKD

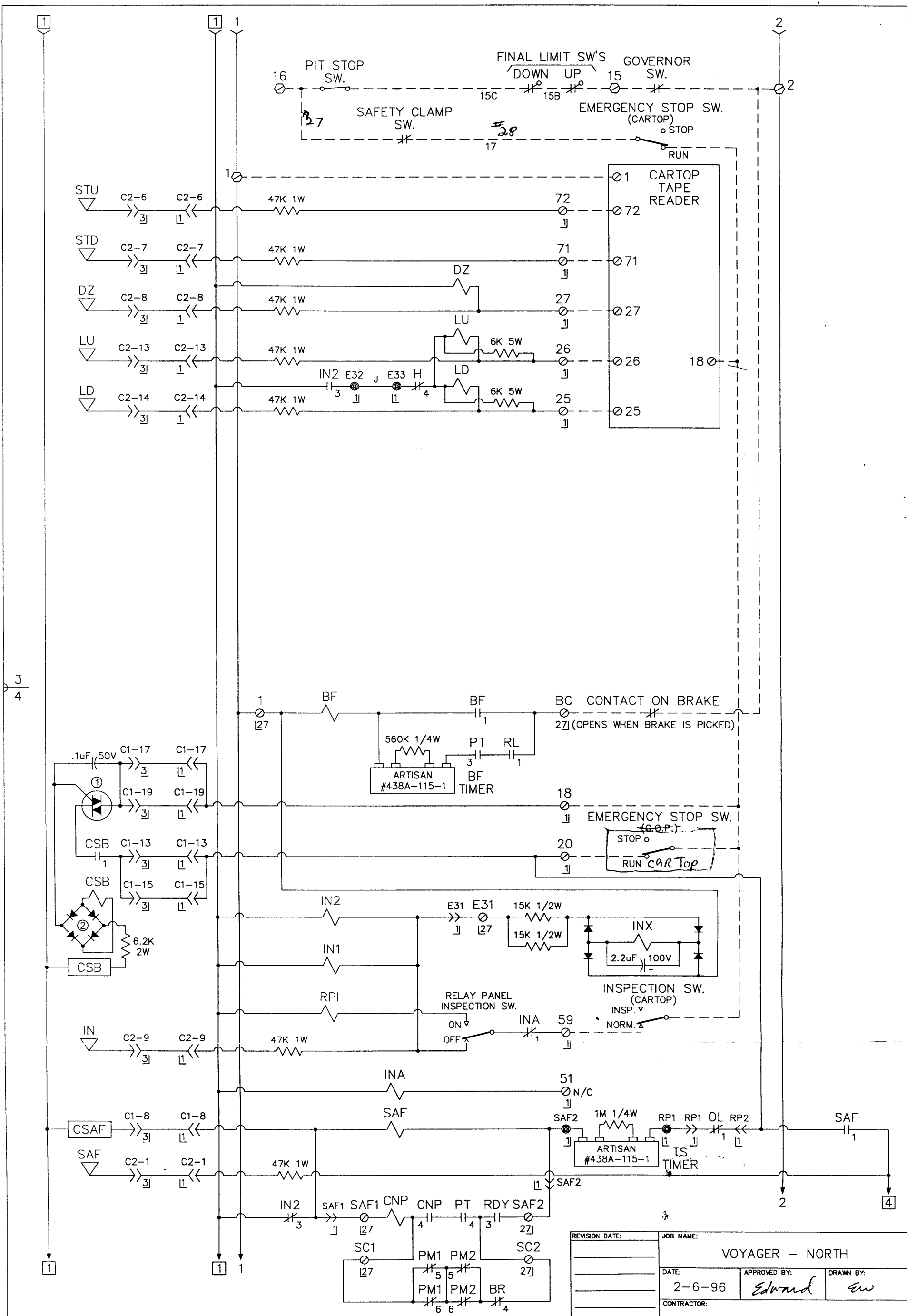
REVISION DATE:	JOB NAME: VOYAGER - NORTH		
DATE: 2-6-96	APPROVED BY: <i>Edward</i>	DRAWN BY: <i>ew</i>	
CONTRACTOR: BEACH ELEVATOR COMPANY			
MVFS0000 11-7-95	MOTION CONTROL ENGINEERING, INC. 11564 WHITE ROCK ROAD RANCHO CORDOVA, CA 95742 (916) 638-4011		DRAWING NUMBER: 95-9798-1-D



- ① V130LA20A
 - ② 6SB1000 DIODE BRIDGE
 - ③ (4) S14K250 AC250V VARISTOR
 - ④ LESS NUDGING TORQUE AND SPEED
 - ⑤ LESS NUDGING SPEED
 - ⑥ ADJUST FOR BRAKE PICKING VOLTAGE
- FUSES FL2, FL3 AND F2PE ARE 250V RATING
BUSSMANN TYPE MDQ OR LITTELFUSE TYPE 313
- FUSES FB2 AND FB3 ARE 250V RATING
BUSSMANN TYPE ABC OR LITTELFUSE TYPE 314
- ALL OTHER FUSES ARE 250V RATING
BUSSMANN TYPE AGC OR LITTELFUSE TYPE 312

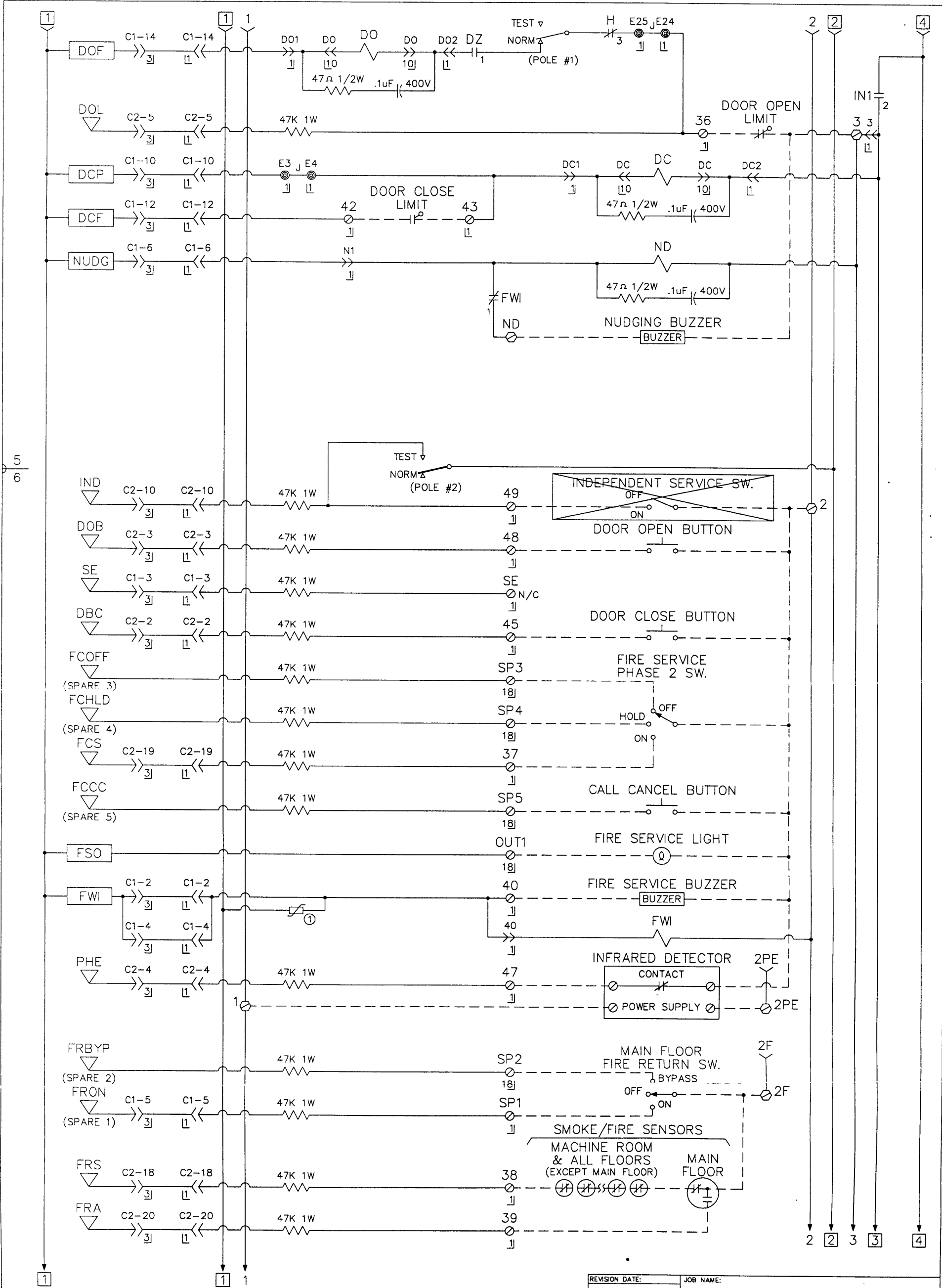
REVISION DATE:	JOB NAME: VOYAGER - NORTH		
DATE: 2-6-96	APPROVED BY:	DRAWN BY:	
CONTRACTOR: BEACH ELEVATOR COMPANY			
MVFS0300 11-16-95	DRAWING NUMBER: 95-9798-1-3		

MCE MOTION CONTROL ENGINEERING, INC.
1154 WHITE ROCK ROAD
RANCHO CORDOVA, CA 95742
(916) 638-4011



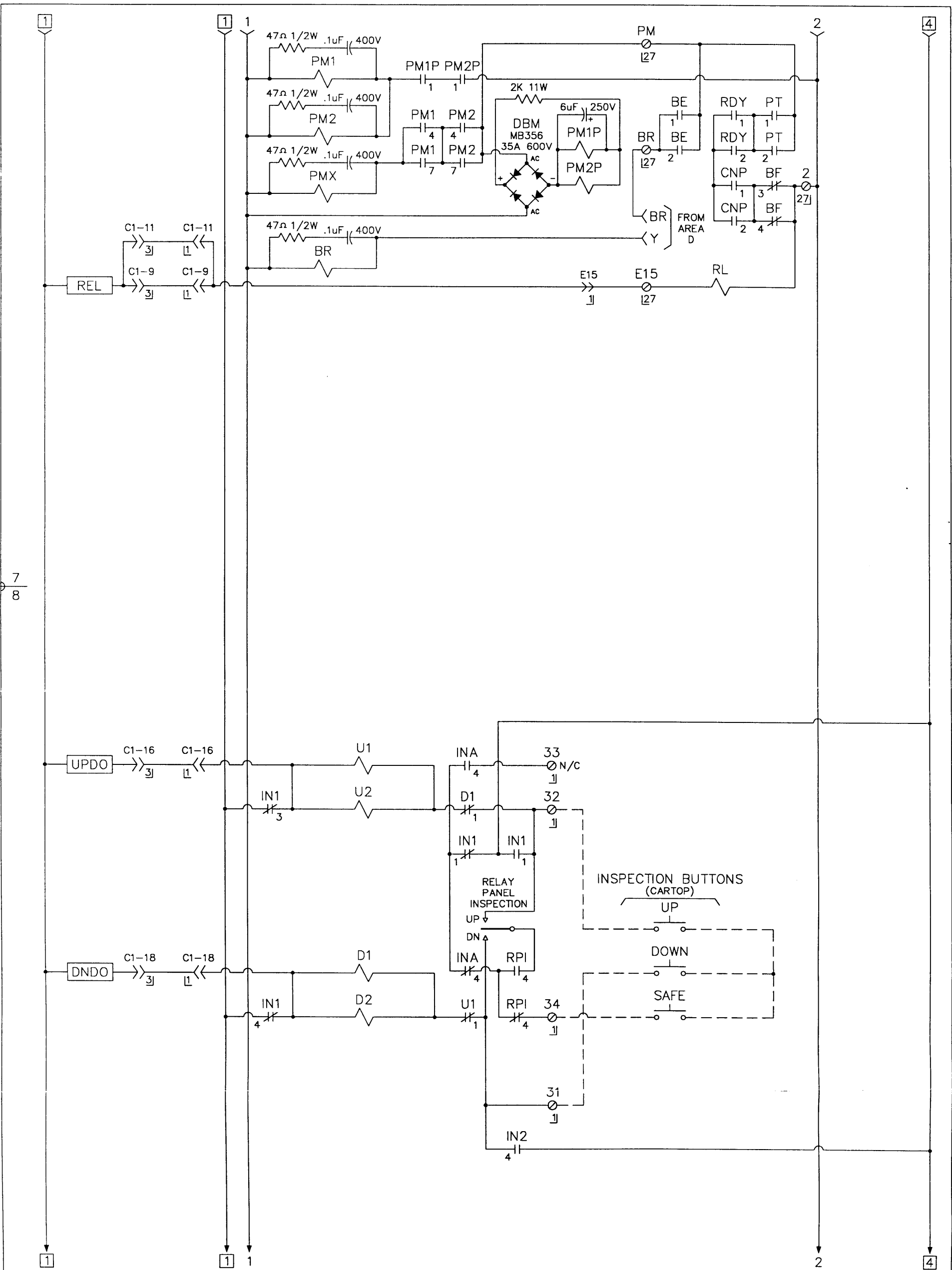
- ① T0808MH TRIAC
- ② RB154-ND DIODE BRIDGE

REVISION DATE:	JOB NAME:		
	VOYAGER - NORTH		
DATE:	APPROVED BY:	DRAWN BY:	
2-6-96	<i>Edward</i>	<i>ew</i>	
CONTRACTOR:			
BEACH ELEVATOR COMPANY			
MFVS0400 7-21-95	DRAWING NUMBER:		
MOTION CONTROL ENGINEERING, INC. 11554 WHITE ROCK ROAD RANCHO CORDOVA, CA 95742 (916) 638-4011			95-9798-1-4



REVISION DATE:		JOB NAME:	
		VOYAGER - NORTH	
DATE:	APPROVED BY:	DRAWN BY:	
2-6-96	<i>Edward</i>	<i>aw</i>	
CONTRACTOR:		BEACH ELEVATOR COMPANY	
MPHS0500 12-26-95		DRAWING NUMBER:	
MOTION CONTROL ENGINEERING, INC. 11354 WHITE ROCK ROAD RANCHO CORDOVA, CA 95742 (916) 638-4011		95-9798-1-5	

① V130LA20A



7/8

REVISION DATE:	JOB NAME: VOYAGER - NORTH		
DATE: 2-6-96	APPROVED BY: <i>Edward</i>	DRAWN BY: <i>aw</i>	
CONTRACTOR: BEACH ELEVATOR COMPANY			
MVFS0600 10-23-95	DRAWING NUMBER: 95-9798-1-6		

MCE MOTION CONTROL ENGINEERING, INC.
11354 WHITE ROCK ROAD
RANCHO CORDOVA, CA 95742
(916) 638-4011

