

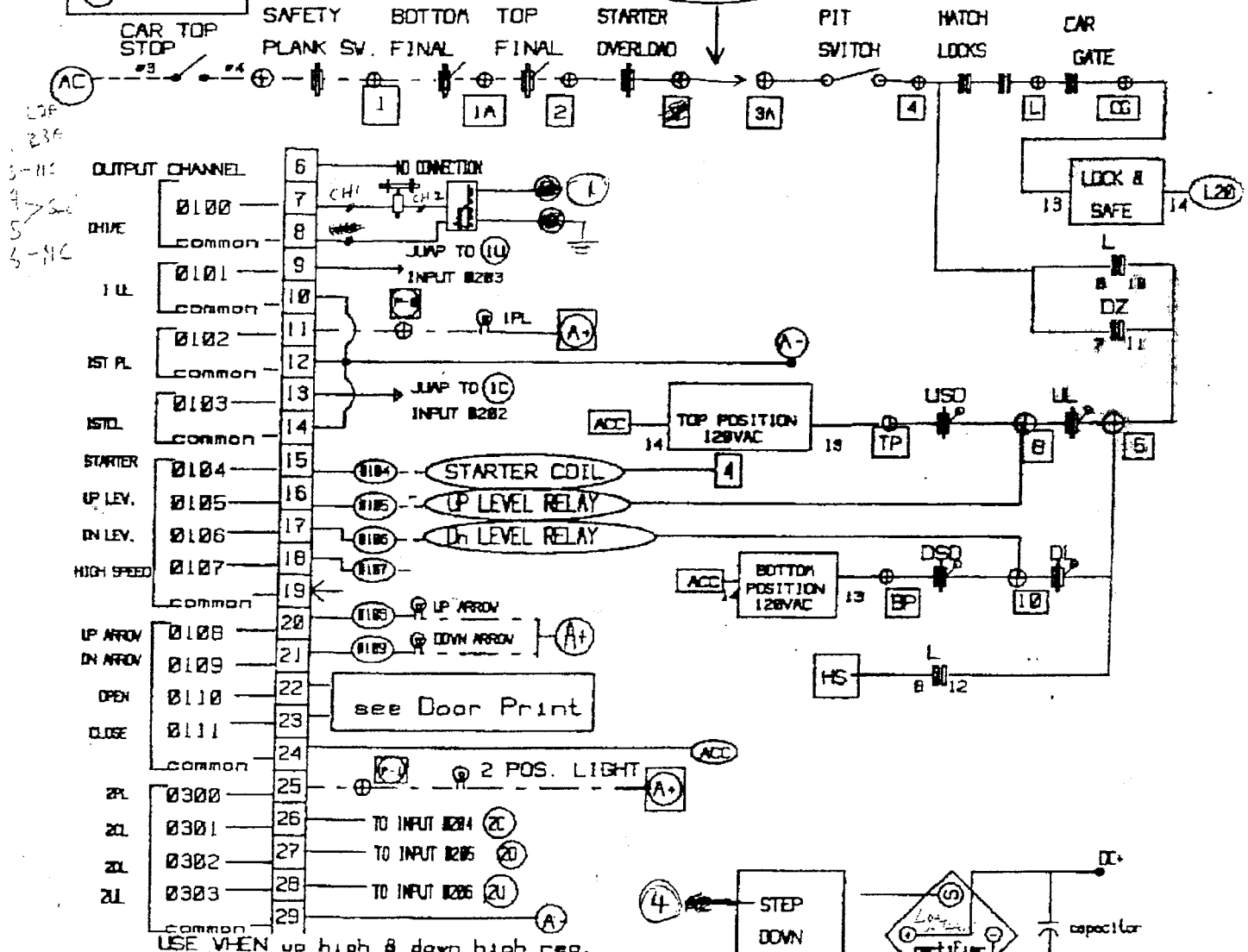
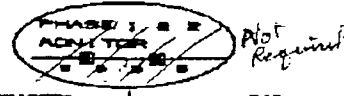
C-60

DELTA ELEVATOR

NOTE: ADD IF 480 VAC
JUMP IF NOT 480VAC

OSI/MACI
page 1

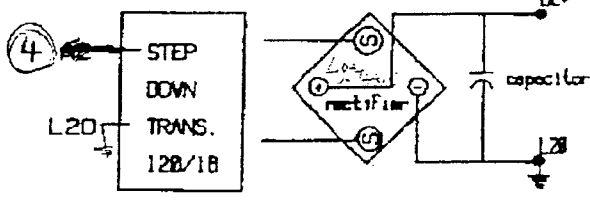
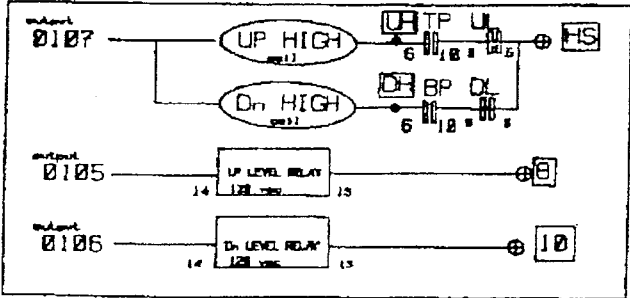
□ = MACHINE ROOM
○ = CAR

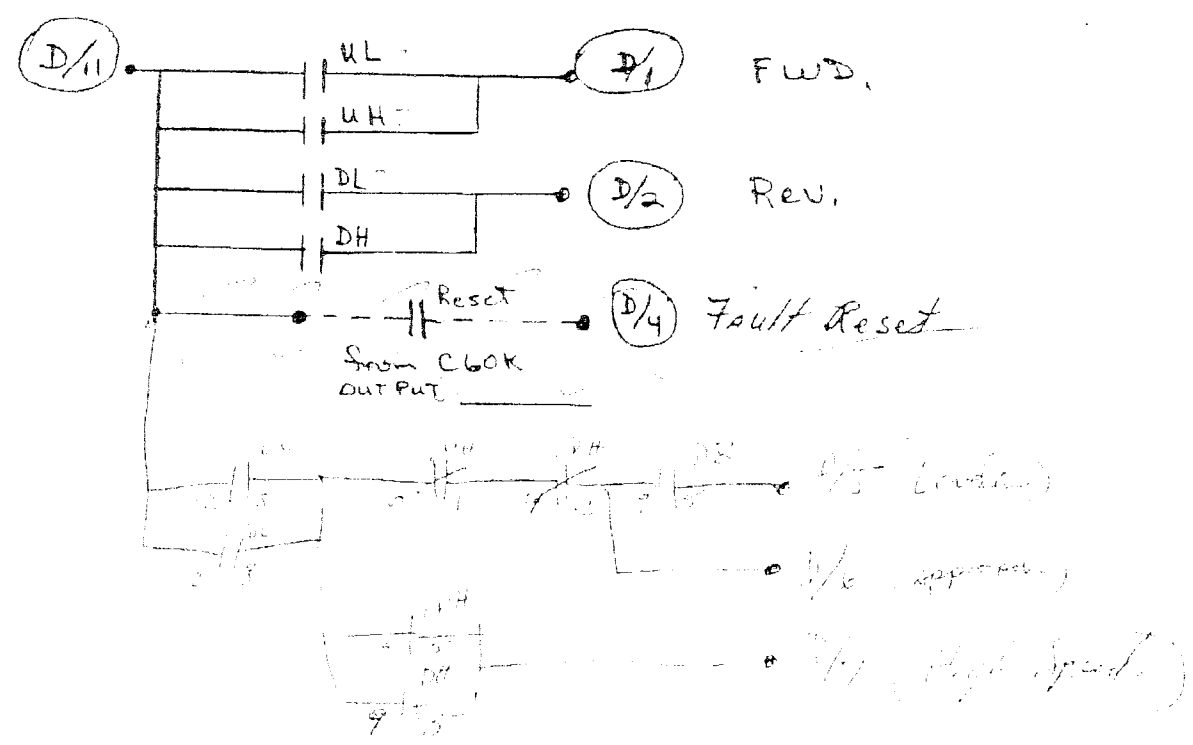
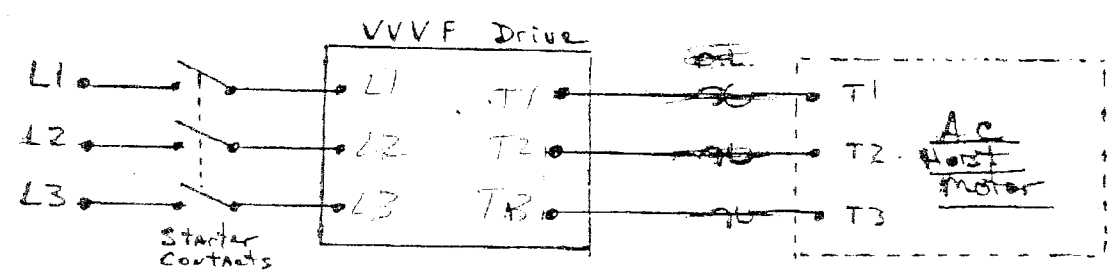
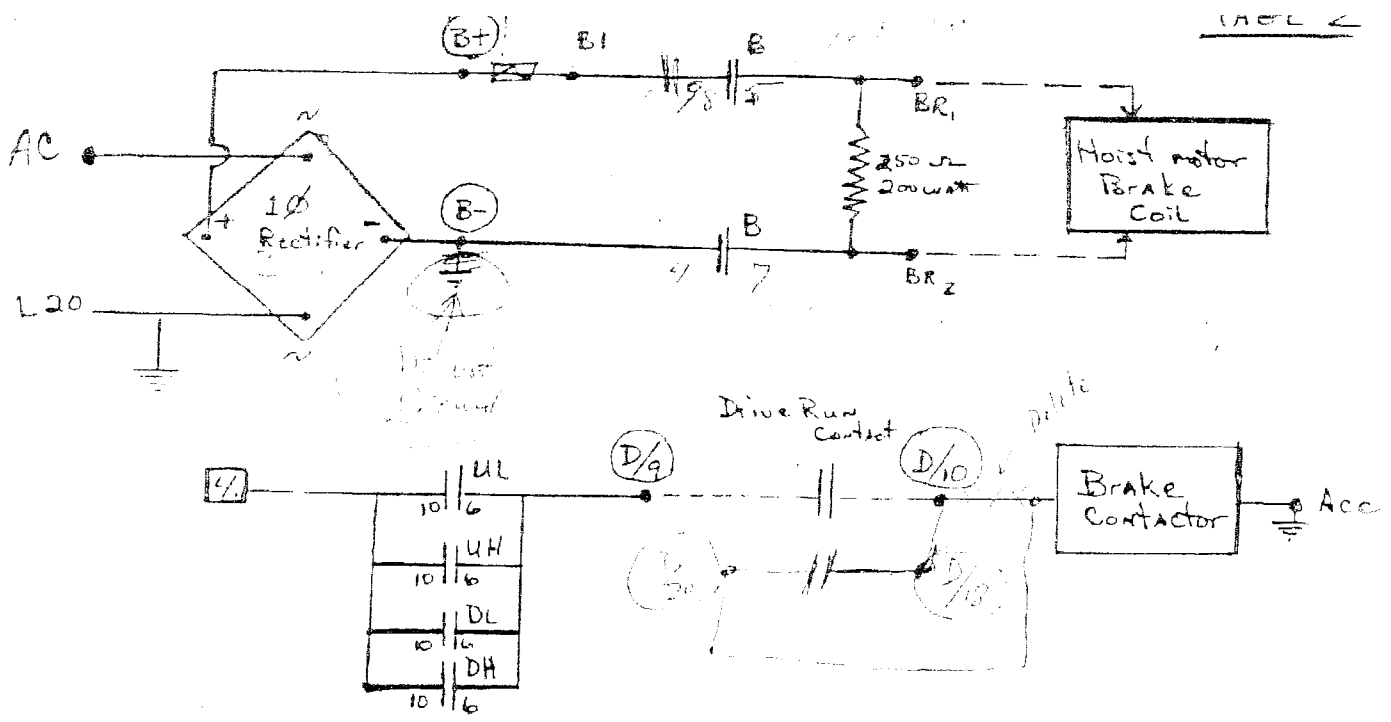


236
3-11C
4-22C
5-11C

OUTPUT CHANNEL	Terminal	Notes
Ø100	7	NO CONNECTION
Ø101	9	JUMP TO (1U) INPUT Ø203
Ø102	11	IPL (A+)
Ø103	13	JUMP TO (1C) INPUT Ø202
Ø104	15	BIB4 - STARTER COIL (4)
Ø105	16	BIE5 - UP LEVEL RELAY (8)
Ø106	17	BIE6 - Dn LEVEL RELAY (10)
Ø107	18	BIE7 - UP HIGH (12) / Dn HIGH (15)
Ø108	20	BIE8 - UP ARROW (A+)
Ø109	21	BIE9 - Dn ARROW (A+)
Ø110	22	see Door Print
Ø111	23	see Door Print
Ø300	25	2 POS. LIGHT (A+)
Ø301	26	TO INPUT Ø204 (2C)
Ø302	27	TO INPUT Ø205 (2D)
Ø303	28	TO INPUT Ø206 (2U)

USE WHEN up high & down high req.





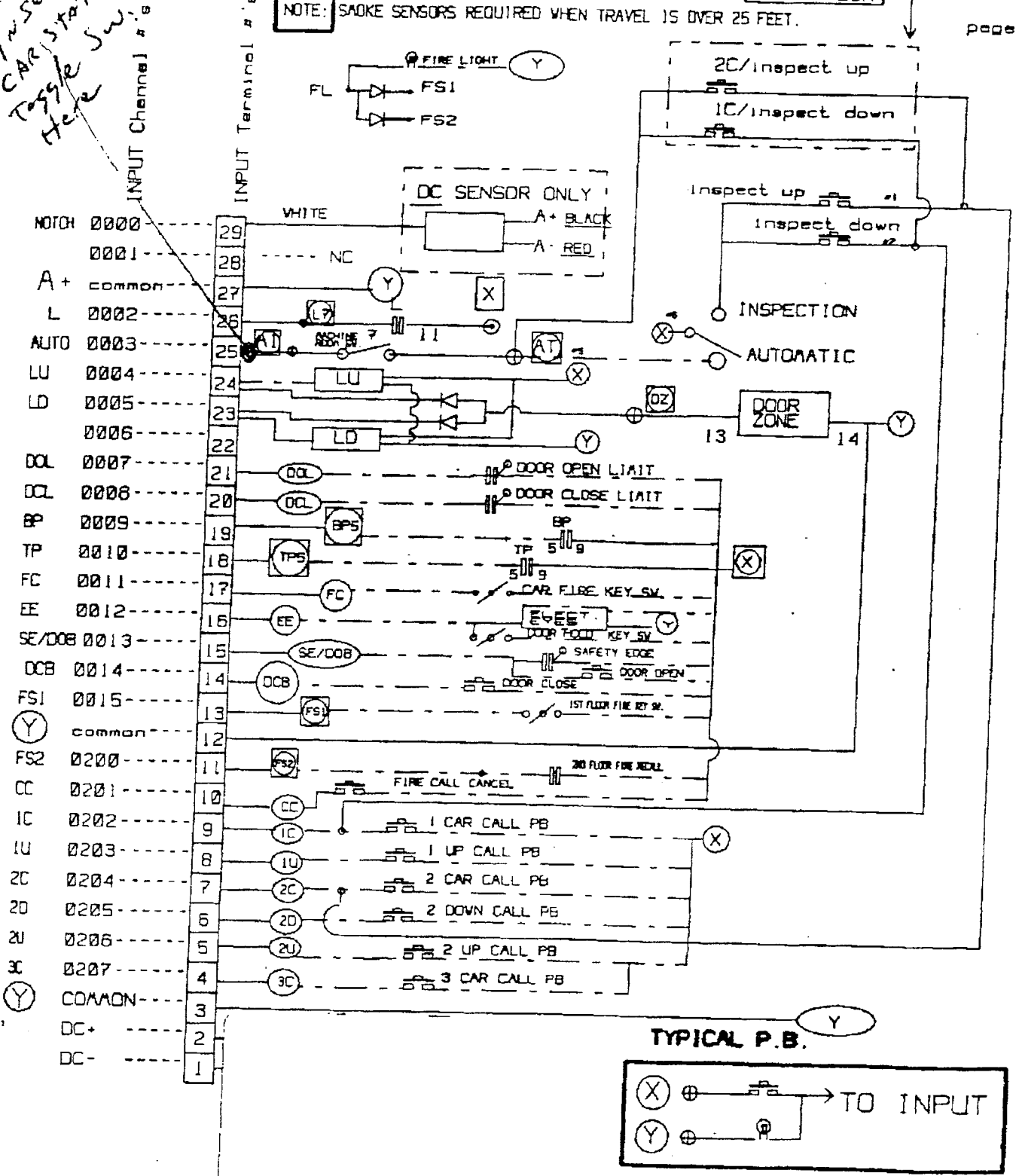
DELTA ELEVATOR

*Insert
CAR Station
Toggle Sw.
Here*

NOTE: SMOKE SENSORS REQUIRED WHEN TRAVEL IS OVER 25 FEET.

in MACHINE ROOM J-BOX

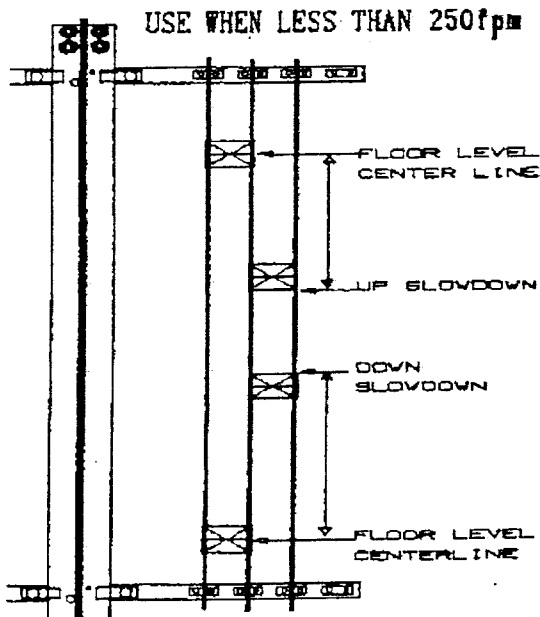
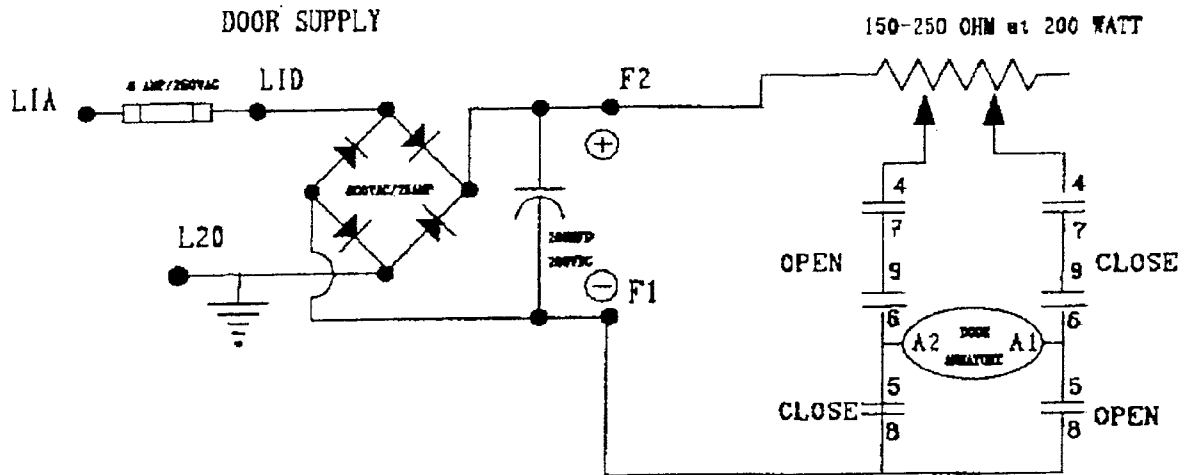
OS1A3



DELTA ELEVATOR

DOOR

PAGE



6 INCHES SLOWDOWN FOR EVERY 25FPM

SPEED = 300 FPM

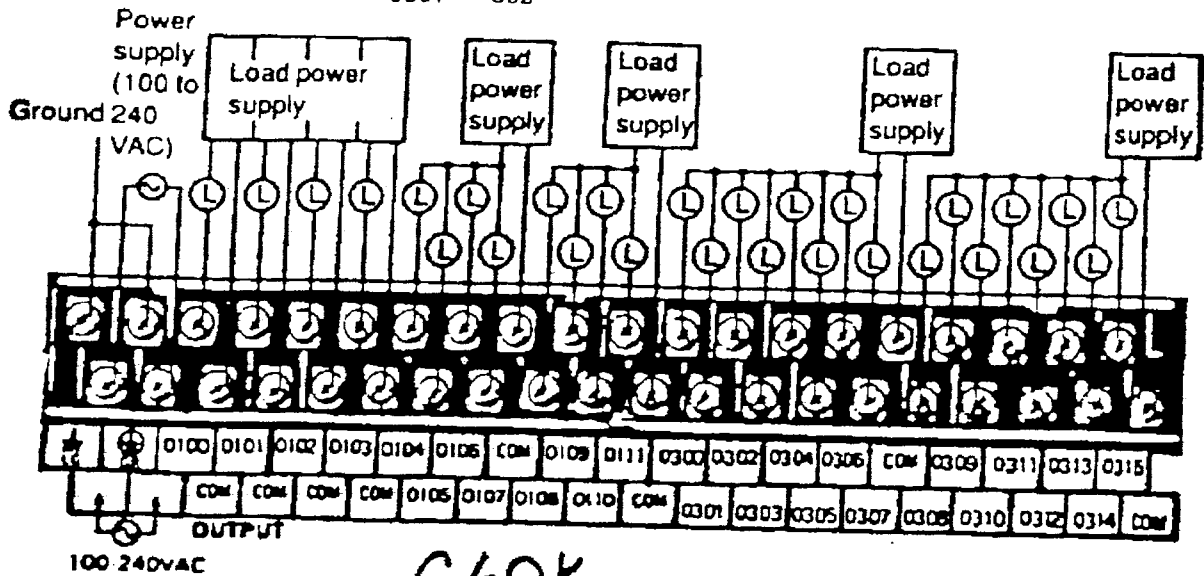
$$\text{SLOWDOWN} = \frac{300 \text{ FPM}}{25} = 12 \times 6 = 72 \text{ inches}$$

NOTE: IF FLOOR HEIGHTS PERMIT THIS CONFIGURATION CAN BE USED ON FASTER ELEVATORS

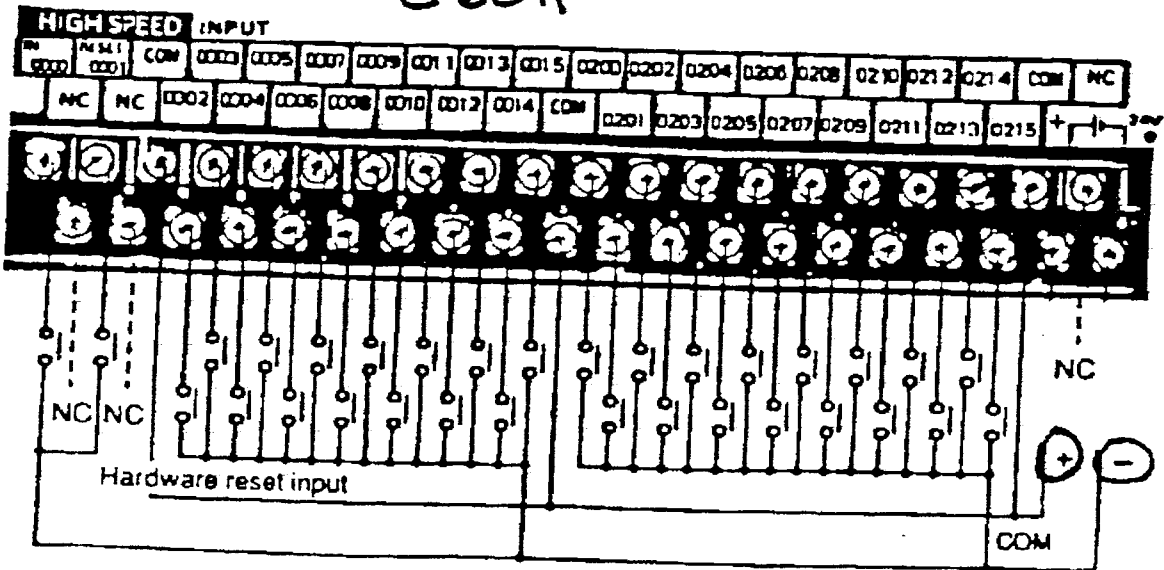
0100 CHIME
 0101 1UL
 0102 P-0/1PL
 0103 1CL
 0104 STARTER
 0105 UPLEVEL
 0106 DNLEVEL
 0107 HIGH SPEED
 0108 UP DA
 0109 DN DA

0110 OPEN
 0111 CLOSE
 0300 P-1/2PL
 0301 2CL
 0302 2DL
 0303 2UL
 0304 P-2/3PL
 0305 3CL
 0306 3DL
 0307 3UL

0308 P-3/4PL
 0309 4CL
 0310 4D
 0311 4U
 0312 P-4/5PL
 0313 5CL
 0314 5DL
 0315 P-5



C60K



INPUTS

0000	NOTCH	0010	TP	0204	2C
0001		0011	PC	0205	2D
0002	LOCKS	0012	EE	0206	2U
0003	AUTO	0013	SE/DOB	0207	3C
0004	LU	0014	DCB	0208	3D
0005	LD	0015	FS1	0209	3U
0006		0200	FS2	0210	4C
0007	DOL	0201	CC	0211	4D
0008	DCL	0202	1C	0212	4U
0009	BP	0203	1U	0213	5C
				0214	5D