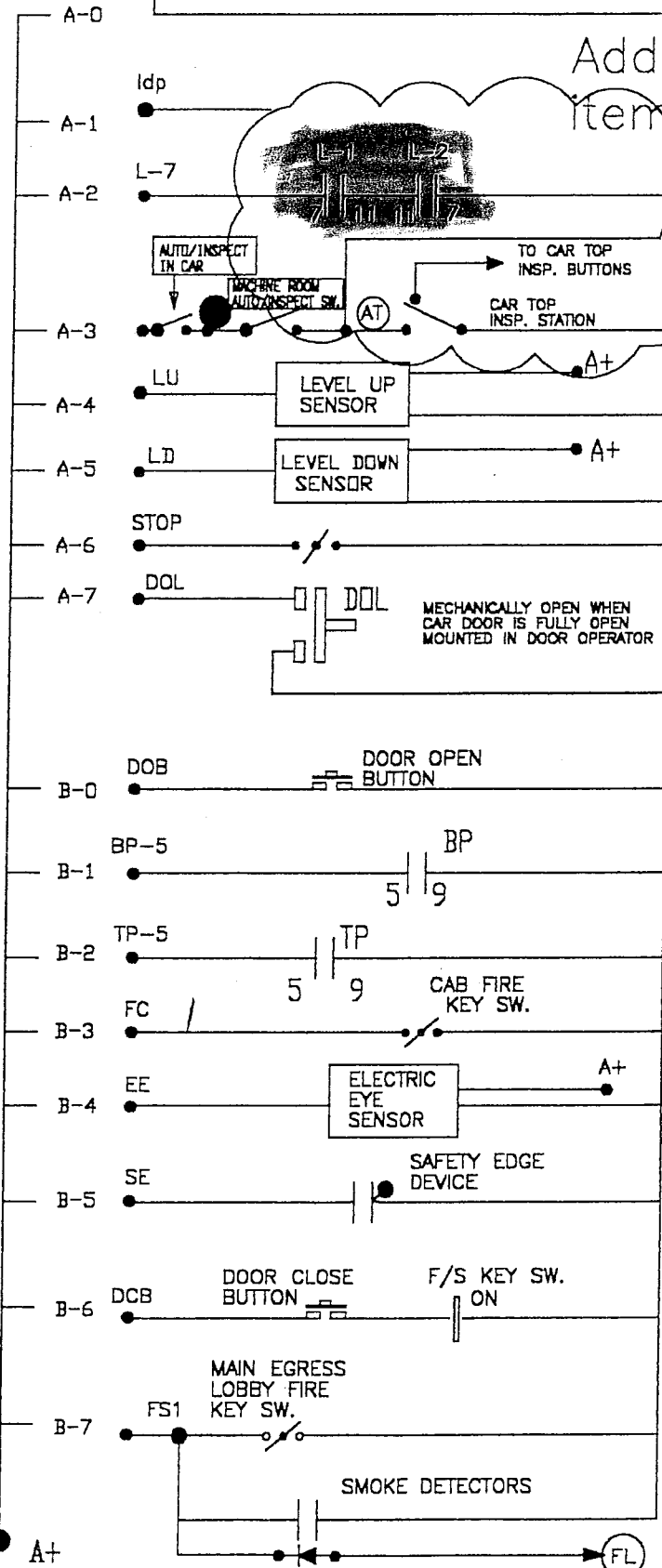


Delta Elevator

INPUTS

DN = A CAR ---or--- OFF = B CAR

1st. Card to right of DL240 C. P. U.



Add green items

Car Door and Hatch Doors interlock

FOUND IN MACHINE ROOM

Automatic

Level Up Sensor

Level Down Sensor

Stop Sw. in C/S closed Run

Door Open Limit

DOOR OPEN BUTTON

Bottom Position Reset

Top Position Reset

PHASE 2 FIRE KEY SWITCH
CLOSED = OFF
OPEN = ON

SAFTEY EDGE

DOOR CLOSE BUTTON

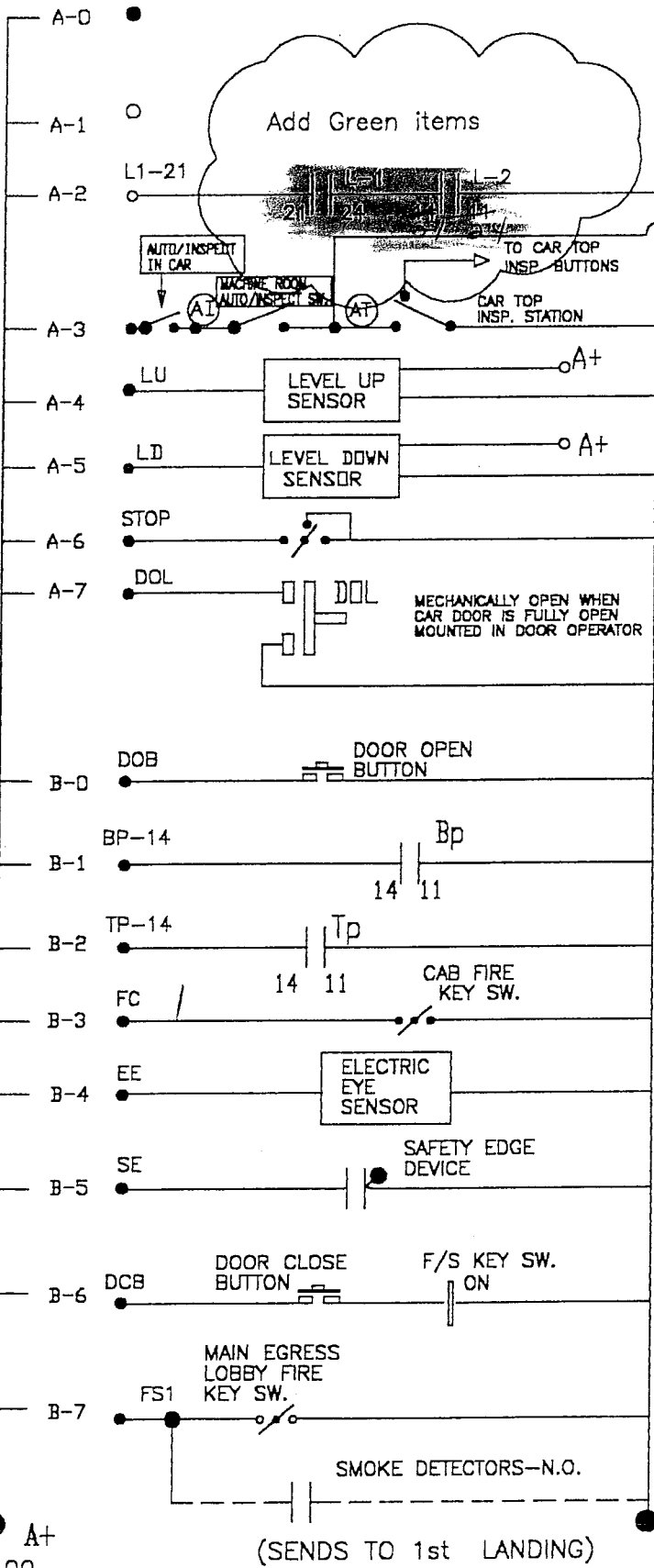
MUST BE ON AT LEAST 4 SECONDS TO GO ON

Fire light connects here on 2 or 3 stop

Delta Elevator

1st. Card to right of DL240 C. P. U.

INPUTS



Interlocks



Automatic

Level Up Sensor

Level Down Sensor

Stop sw. in Car Station NO to run

Door Open Limit

Door Open Button

Bottom Position Reset

Top Position Reset

Phase 2 Car Key Switch

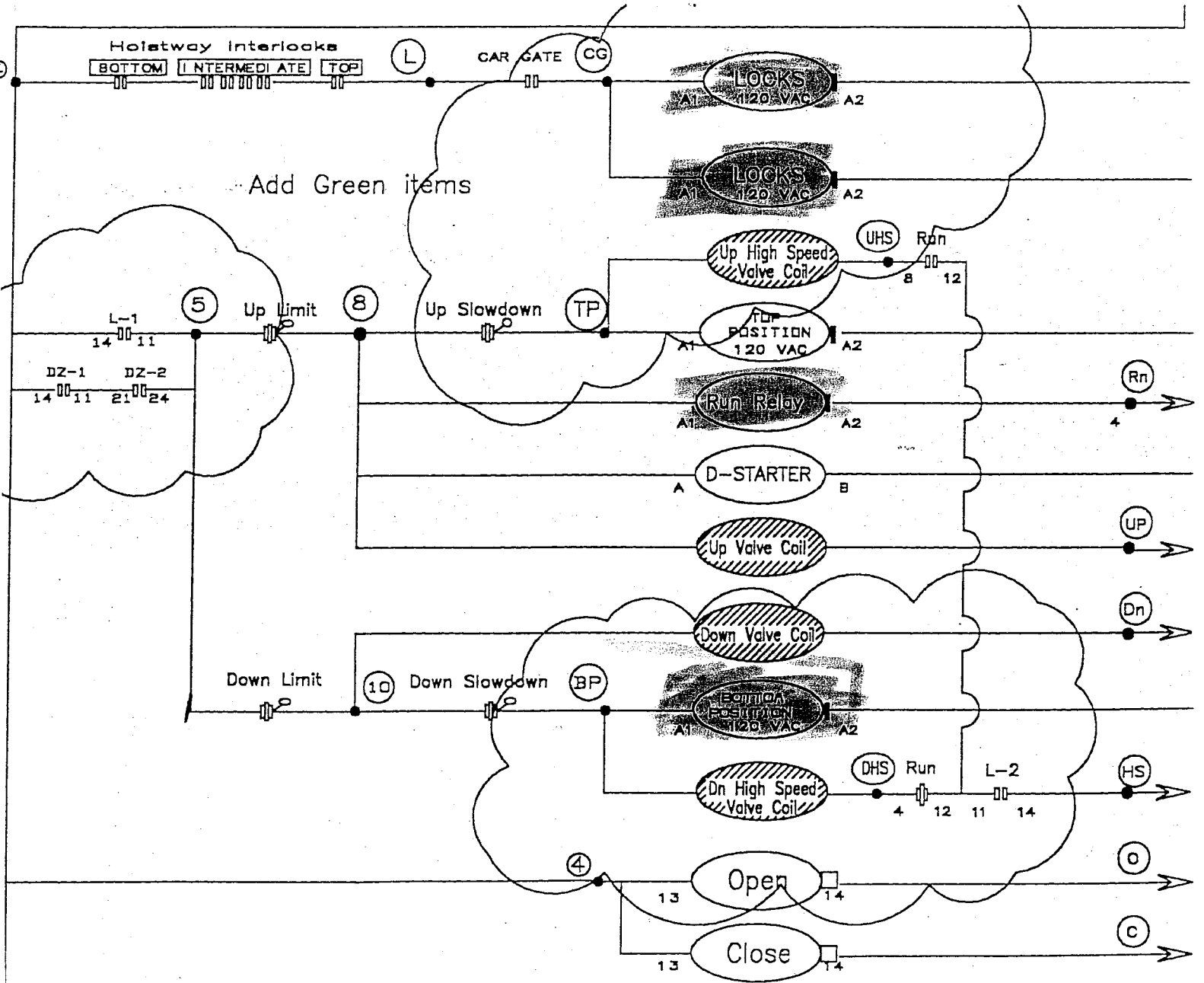
CLOSED = OFF OPEN = ON

Photo Electric Sensor

Safety Edge

Door Close Button

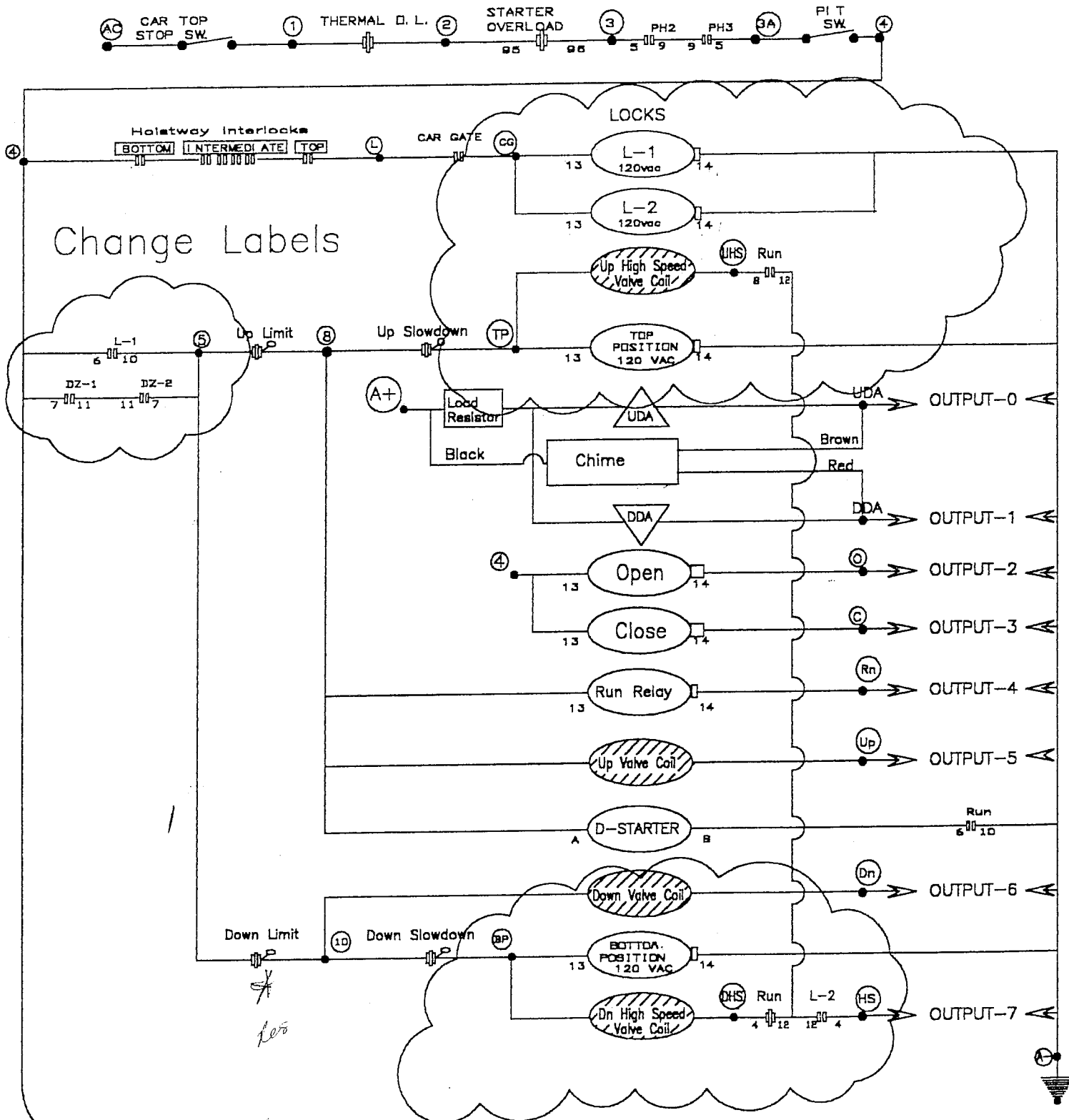
Phase 1 Hall Key Switch - N.O.



Delta Elevator

Add green items
items

4th CARD TO THE RIGHT OF DL240 C.P.U.

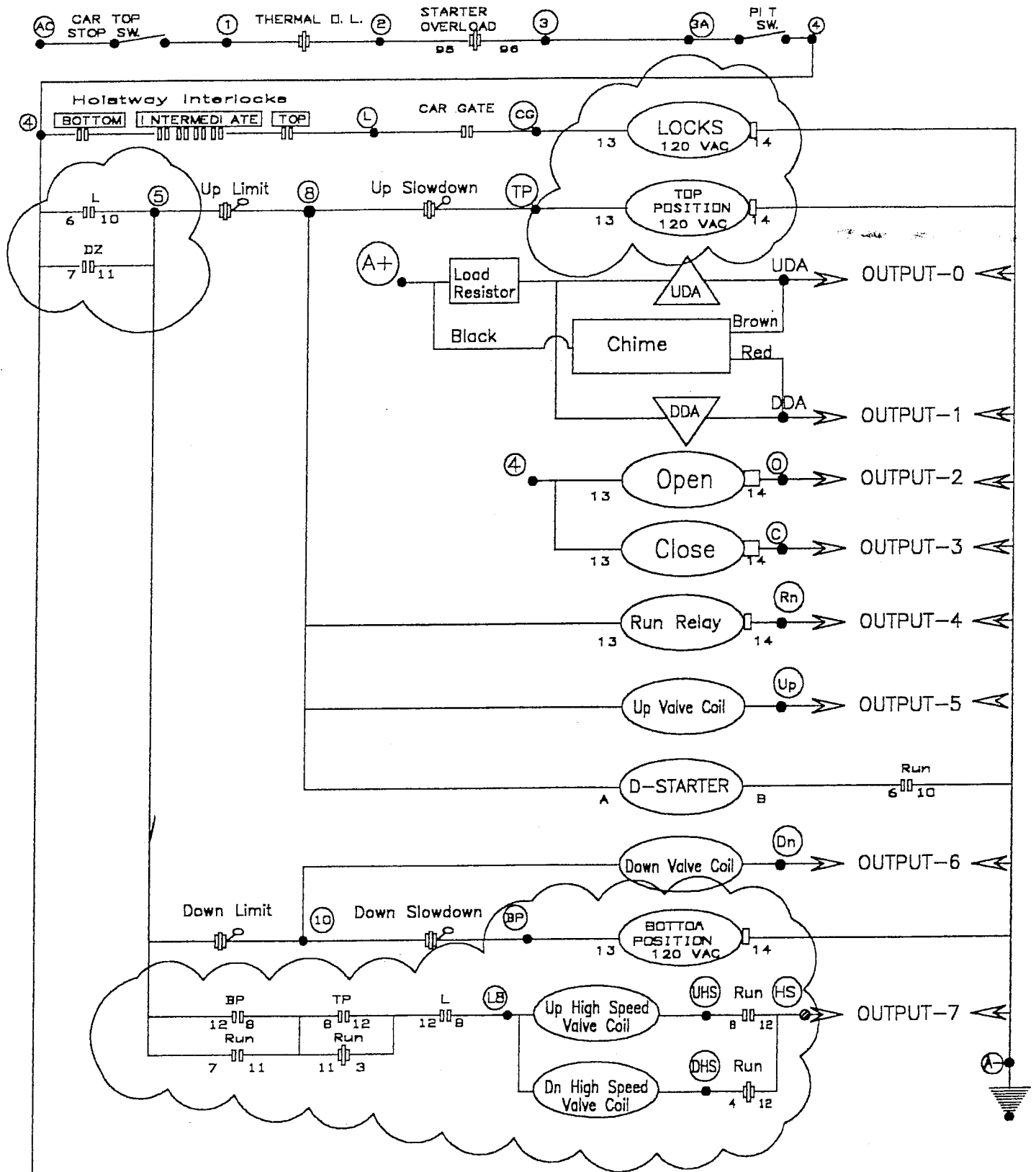


ALSO FEEDS DOOR OPERATOR , DC POWER SUPPLY & C.P.U.

Remove red items

Delta Elevator

4th CARD TO THE RIGHT OF DL240 C.P.U.



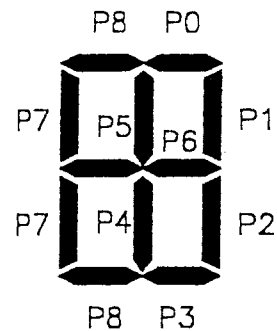
➔ ALSO FEEDS DOOR OPERATOR , DC POWER SUPPLY & C.P.U.

Delta Elevator

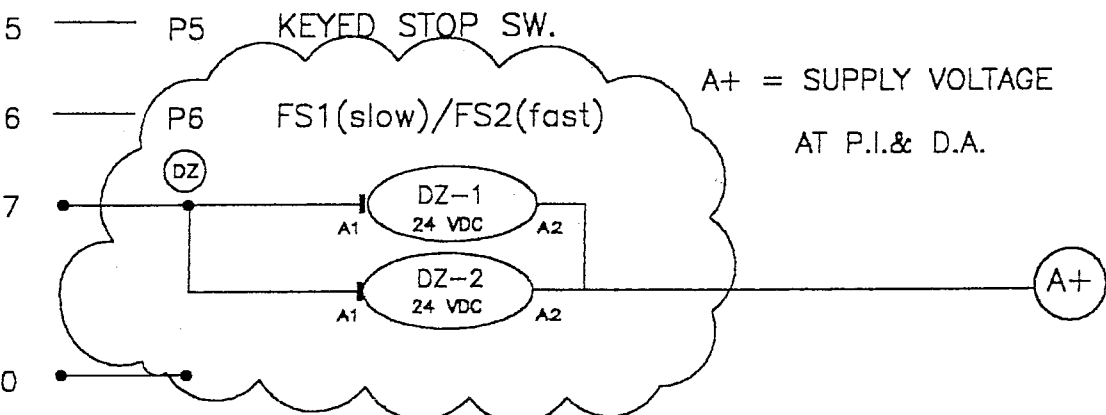
5th CARD (2nd Red)

A CHANNEL
OUTPUTS

- 0 — P0 STALLED
- 1 — P1 ELECTRIC EYE
- 2 — P2 SAFETY EDGE
- 3 — P3 D.O.B.
- 4 — P4 LOCKS
- 5 — P5 KEYED STOP SW.
- 6 — P6 FS1(slow)/FS2(fast)



Add Green items



A+ = SUPPLY VOLTAGE
AT P.I. & D.A.

B CHANNEL
OUTPUTS

- 1 — 1CL → A+ 1 CAR CALL LIGHT; 1C → 1 CAR CALL INPUT
- 2 — 1UL → A+ 1 UP HALL CALL LIGHT; 1U → 1 UP HALL CALL INPUT
- 3 — 2CL → A+ 2 CAR CALL LIGHT; 2C → 2 CAR CALL INPUT
- 4 — 2DL → A+ 2 DOWN HALL CALL LIGHT; 2D → 2 DOWN HALL CALL INPUT
- 5 — 2UL → A+ 2 UP HALL CALL LIGHT; 2U → 2 UP HALL CALL INPUT
- 6 — 3CL → A+ 3 CAR CALL LIGHT; 3C → 3 CAR CALL INPUT
- 7 — 3DL → A+ 3 DOWN HALL CALL LIGHT; 3D → 3 DOWN HALL CALL INPUT

CA & CB = COMMON
A-

V+ = A+

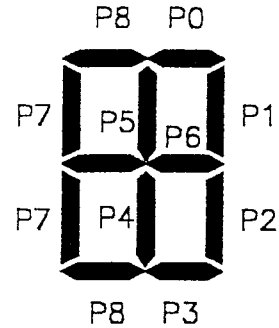
Delta Elevator

5th CARD (2nd Red)

Add green items

A CHANNEL
OUTPUTS

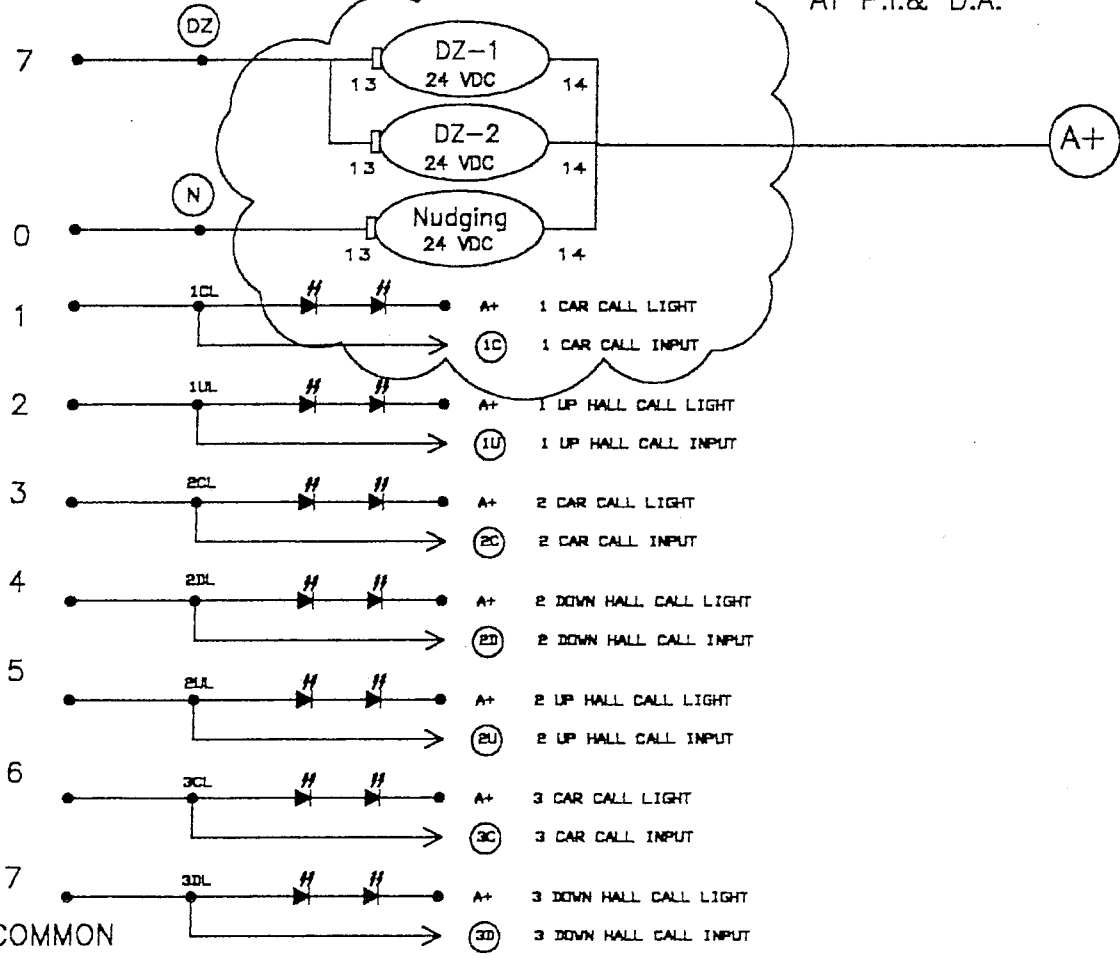
- 0 — P0 STALLED
- 1 — P1 ELECTRIC EYE
- 2 — P2 SAFETY EDGE
- 3 — P3 D.O.B.
- 4 — P4 LOCKS
- 5 — P5 KEYED STOP SW.



- 6 — P6 FS1(slow)/FS2(fast)

A+ = SUPPLY VOLTAGE
AT P.I. & D.A.

B CHANNEL
OUTPUTS



CA & CB = COMMON
A-
V+ = A+

(Bush Klev) (Science 1/10/83)

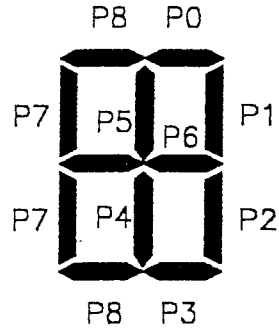
Delta Elevator

5th CARD (2nd Red)

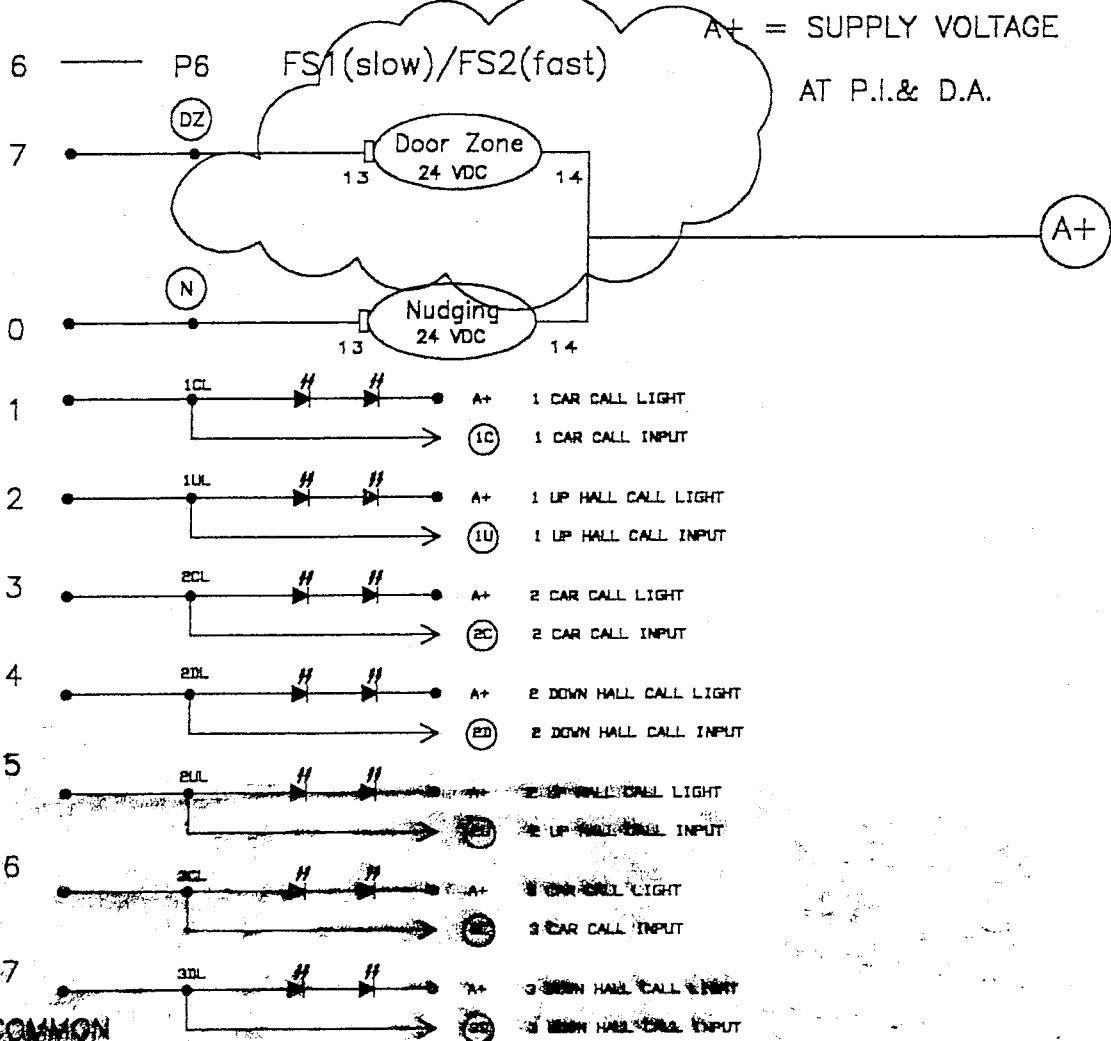
Remove red items

A CHANNEL
OUTPUTS

- 0 — P0 STALLED
- 1 — P1 ELECTRIC EYE
- 2 — P2 SAFETY EDGE
- 3 — P3 D.O.B.
- 4 — P4 LOCKS
- 5 — P5 KEYED STOP SW.
- 6 — P6 FS1(slow)/FS2(fast)



B CHANNEL
OUTPUTS



A+ = SUPPLY VOLTAGE
AT P.I. & D.A.

CA & CB = COMMON
A-
V+ = A+

1905

1