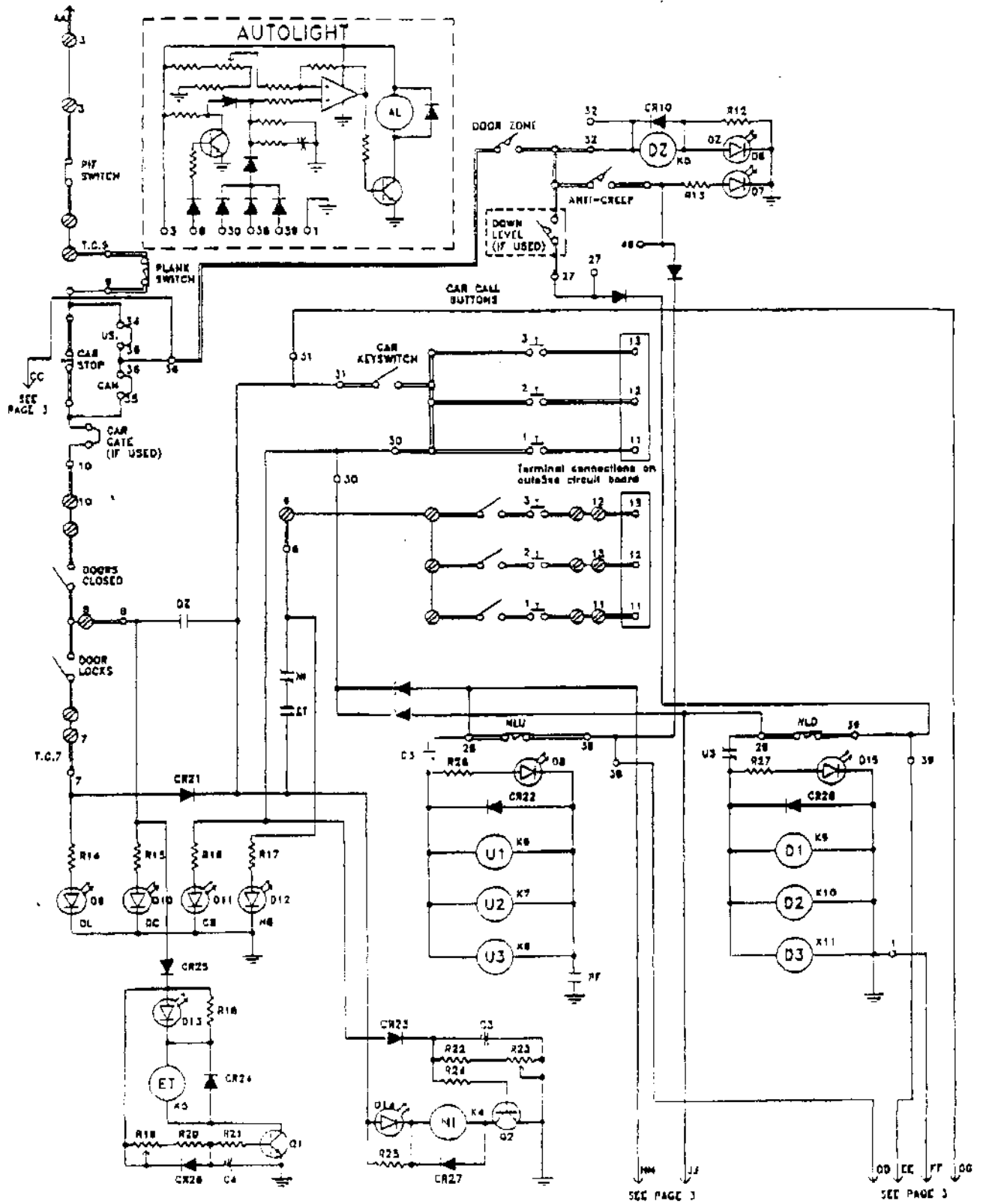
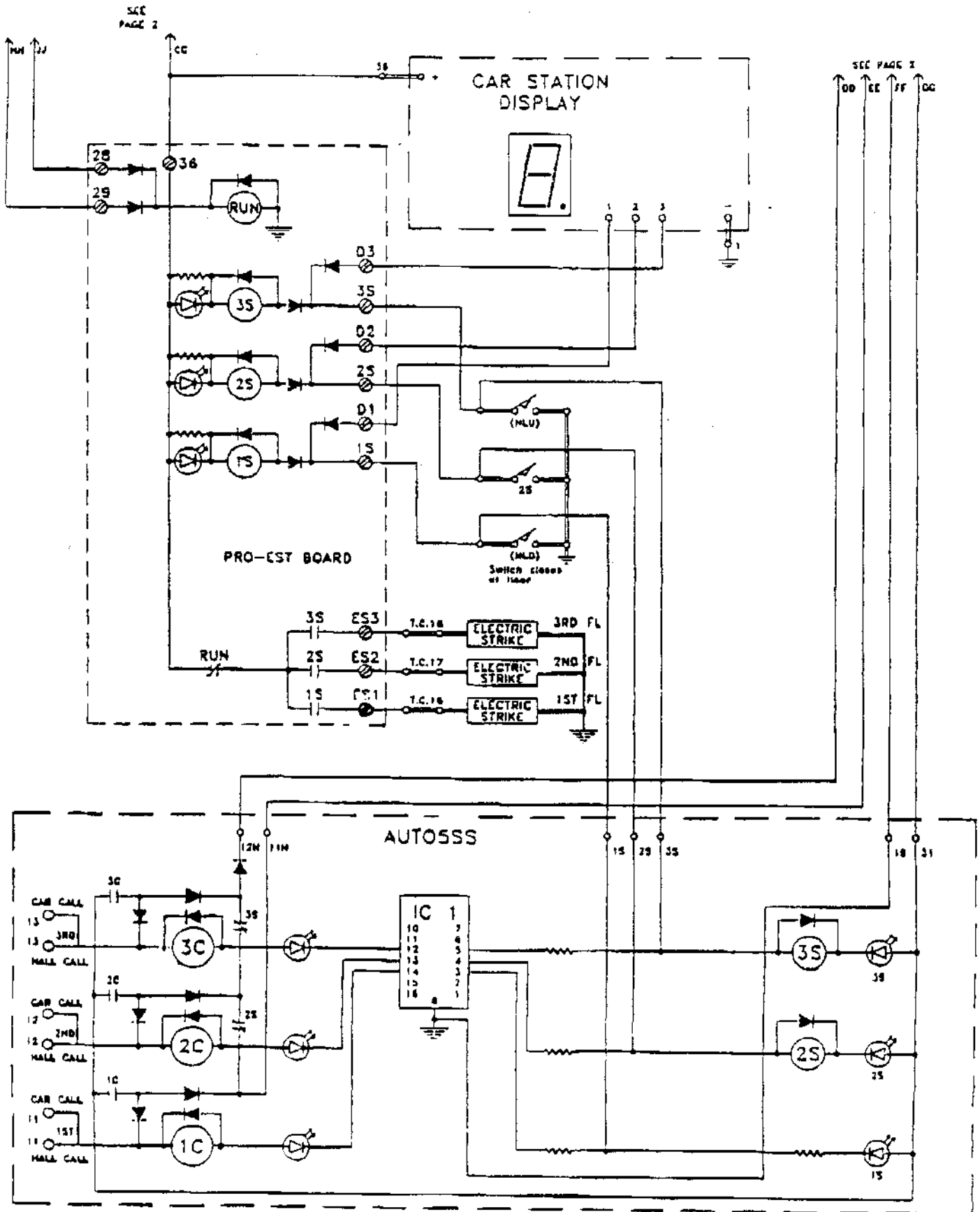


SEE PAGE 2

	PRO-LIFT schematic (CP2A/PS5) • 3 floor automatic (AUTOSSS) • Electric strikes
	• Digital car display • Car key-switch • Door locks • Car top stop
JOB # C-4985 DATE 01/10/94	

PAGE 2





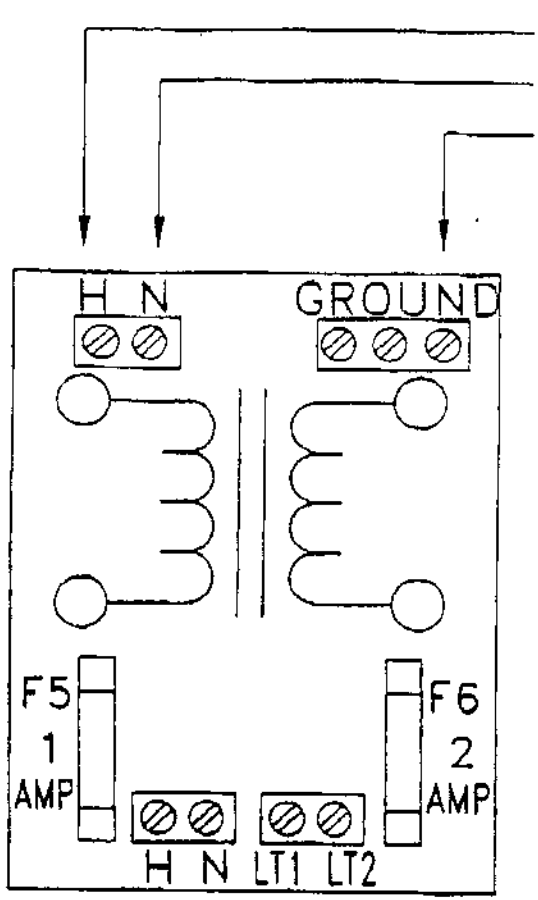
ATTENTION CONSTRUCTION PERSONNEL

RE: POT LIGHT WIRING

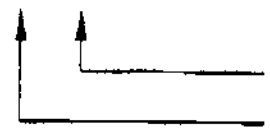
POT LIGHT WIRING IS CONNECTED TO A 24V AC POWER SOURCE IN THE CONTROLLER BOX. THE WIRE TERMINAL CONNECTIONS ARE LABELLED LT1 AND LT2 FOR THE LIGHTING.

FOR CONTINUOUS LIGHT ON DURING THE INSTALLATION OF THE LIFT CONNECT THE 14 AWG TRAVELLING CABLE WIRE THAT IS CONNECTED TO THE LT1 TERMINAL IN THE CONTROLLER BOX TO THE ALT TERMINAL ON THE AUTOLIGHT CIRCUIT BOARD. MOVE IT BACK ONCE THE INSTALLATION IS FINISHED.

TIME ADJUST IS FACTORY SET AT APPROXIMATELY 7 - 12 MINUTES. TIME CAN BE ADJUSTED BY THE TRIM POT FROM APPROXIMATELY 2 MINUTES MINIMUM TO APPROXIMATELY 25 MINUTES MAXIMUM.

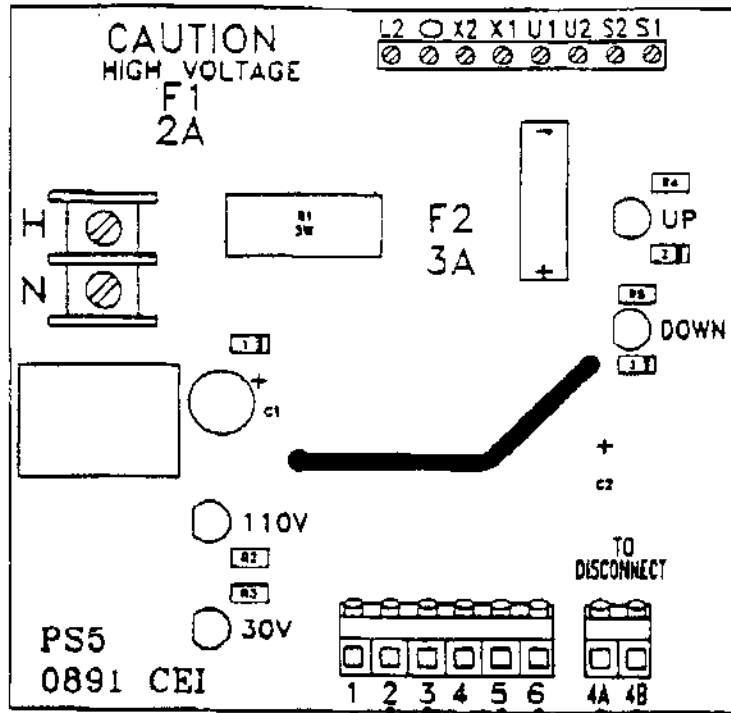


CONNECTIONS MADE TO "H", "N" & "GROUND" AT DISCONNECT



CONNECTIONS MADE TO POTLIGHT HOISTWAY WIRING

<p>CONCORD ELEVATOR INC.</p>	<p>POTLIGHT BOARD HOOK-UP DIAGRAM</p>
---	---



CONNECT TO JUNCTION BOARD BOX IN HOISTWAY

CONNECT TO AUXILIARY DISCONNECT SWITCH IF REQUIRED*

* IF NOT REQUIRED, INSTALL A JUMPER FROM 4A TO 4B

<p>CONCORD ELEVATOR INC.</p>	<p>PS-5 CIRCUIT BOARD HOOK-UP DIAGRAM</p>
<p> </p>	<p> </p>

Wiring Diagram For Pro-lift Hall-Call Push Button Assemblies

Jan 8/92

