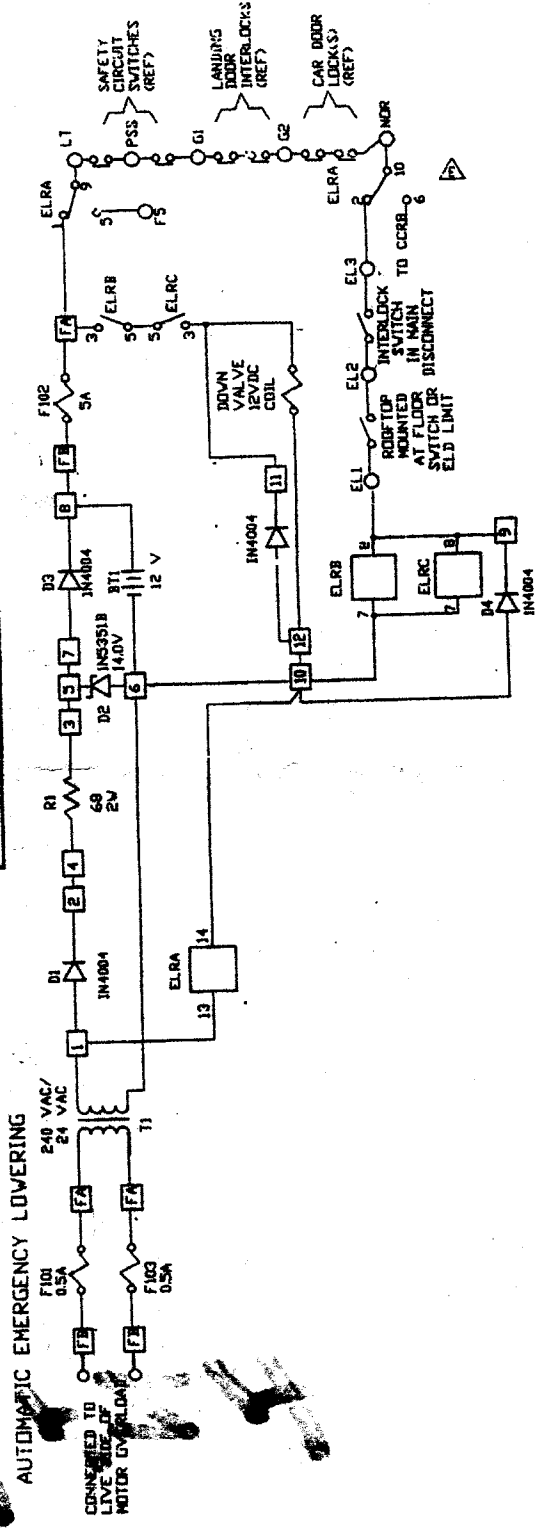
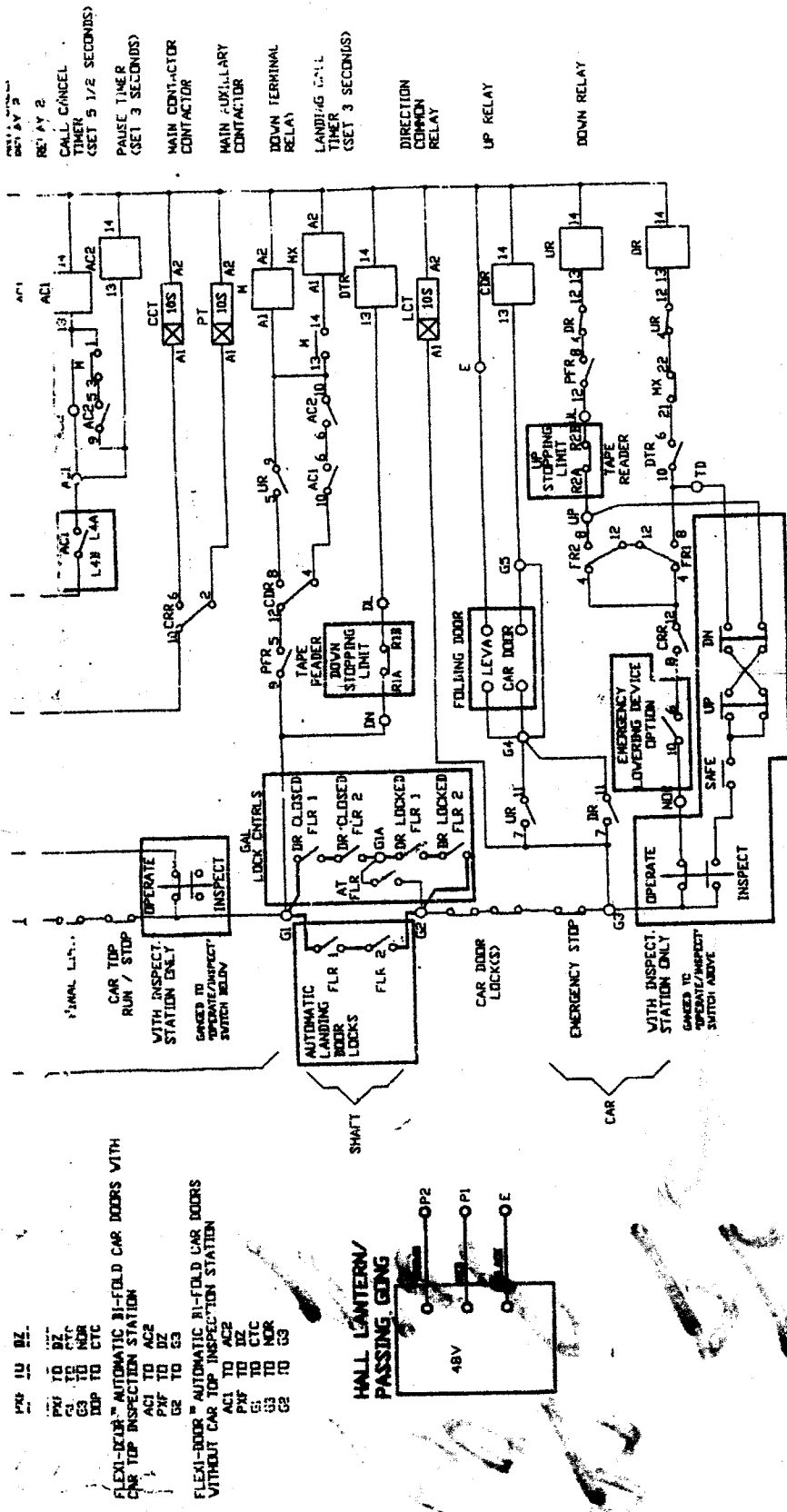
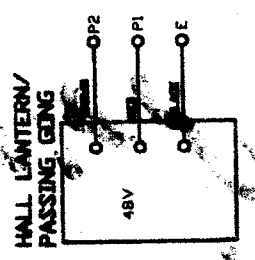


REV.	E.C.M.	REVISION DESCRIPTION	BY
A	3090	RELEASE	RDS
B	3250	SHOW TAPE READER, DIG1 WAS DTR, ADD NEUT WIRE, REDORDERED SWITCHES BTWN PSS & G1.	RDS
C	3636	CHANGED ELD WIRES	MJH
D	3686	MOVED E-STOP TO BELOW G2, ADDED TAPE READER DESIGNATORS, CHANGED TO 30 AMP FUSING FOR SINGLE SPEED UNIT	MJH
E	3742	SWITCH CONTACTS 6 & 10 ON ELRA	MJ/T



FLEXI-DOOR™ AUTOMATIC BI-FOLD CAR DOORS WITH CAR TOP INSPECTION STATION
 AC1 TO AC2
 PWF TO DZ
 G3 TO CXC
 G1 TO MDR
 G2 TO G3

FLEXI-DOOR™ AUTOMATIC BI-FOLD CAR DOORS WITHOUT CAR TOP INSPECTION STATION
 AC1 TO AC2
 PWF TO CXC
 G1 TO MDR
 G2 TO G3



ITEM No.	QTY	SIZE	PART No.	ISSUED ON ITEM OF
MATERIAL LIST				
ACCESS				
FLEXI-DOOR™				
2-STOP LAC				
13002				

